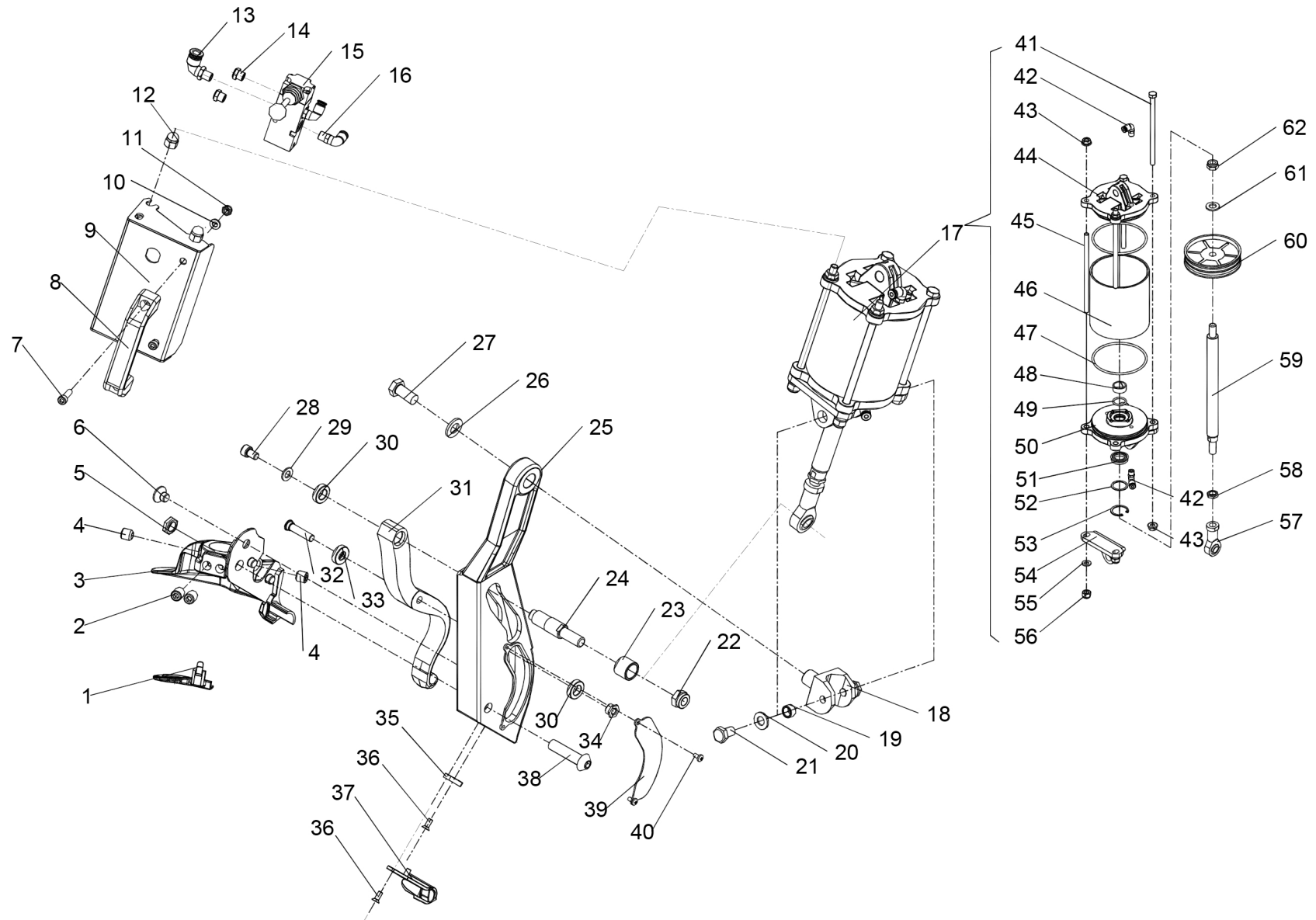




TAV5.3

LEVERLESS MOUNTING TOOL

ED. 05/2020



TAV5.3

## LEVERLESS MOUNTING TOOL

ED. 05/2020

ITEM	PART NO.	DESCRIPTION	QTY	REMARK
1	C01C700011	Rim protection 1	1	
2	0209015	Screw M12X16	2	
3	C01C700001	Mounting tool	1	
4	0209020	Screw M12X12	2	
5	0204016	Nut M12	1	
6	0207066	Screw M10X12	3	
7	0202033	Screw M6X20	2	
8	YCH-4297851	Handle	1	
9	C01E700300	Tool cover	1	
10	0205006	Washer D.6	2	
11	0204003	Nut M6	2	
12	0204056	Nut M8	2	
13	0306277	Quick union $\Phi$ 8-1/8	1	
14	0306087	Silencer 1/8	2	
15	0306254	Control valve 1/8	1	
16	0306035	90 degree quick union 4-1/8	2	
17	C00BQ35000	Mounting hook cylinder unit	1	
18	C01C700010	Hinge	1	
19	C01C700008	Bush	2	
20	0205011	Washer D.10	2	
21	0201059	Screw M10X16	2	
22	0204007	Nut M12	1	
23	C01C700002	Roller	1	
24	C01C700004	Thread shaft	1	
25	C01C700100	Hook guiding frame	1	
26	0205013	Washer D.12	1	
27	0201078	Screw M12X25	1	

TAV5.3

## LEVERLESS MOUNTING TOOL

ED. 05/2020

28	0202043	Screw M8X12	1
29	0205008	Washer D.8	1
30	C01C700015	Outer bush	2
31	C01C700003	Mounting hook	1
32	C01C700005A	Screw M8X38	1
33	C01C700007	Roller	1
34	C01C700014	Inner bush	1
35	C01C700017	Nut	1
36	0207062	Screw M5X12	3
37	C01C700006	Rim protection 2	1
38	0206091	Screw M12X50	1
39	C01C700018	Cover	1
40	0206023	Screw M4X8	2
41	C00BQ35004	Stud	2
42	0306035	90 degree quick union 4-1/8	2
43	0204025	Nut M8	4
44	C00BQ35001	Cylinder back flange	1
45	C00BQ35005	Screw	2
46	C00BQ35006	Cylinder liner	1
47	0309105	O-ring 92.5X3.55	2
48	0305041	Guiding ring 67X9.5X2	1
49	0606004	O-ring 20X2.75	1
50	C00BQ35002	Cylinder flange	1
51	0606016	Seal 20X30X7	1
52	YC1-4398146	Washer	1
53	0211004	Seeger D.30 - GB/T893.1	1
54	C01E700009	Cylinder support	2

TAV5.3	LEVERLESS MOUNTING TOOL	ED. 05/2020
--------	-------------------------	-------------

55	0205008	Washer D.8	2
56	0204004	Nut M8	2
57	0214044	Knuckle bearing	1
58	0204016	Nut M12	1
59	C00BQ35003	Cylinder shaft	1
60	0606155	Piston	1
61	0205013	Washer D.12	1
62	0204007	Nut M12	1